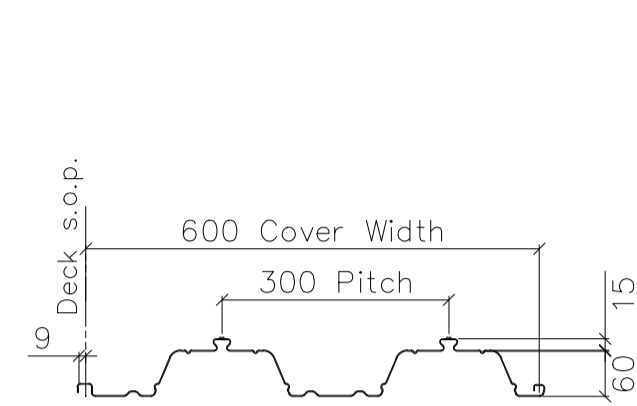
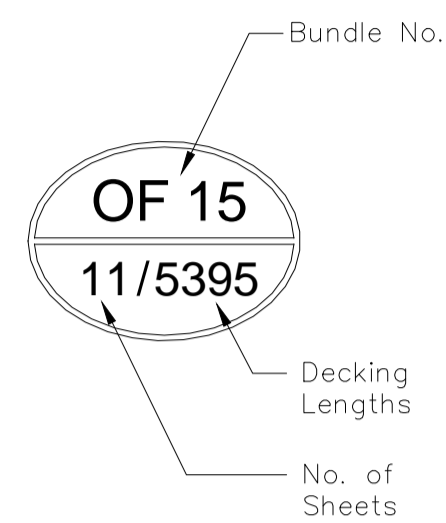


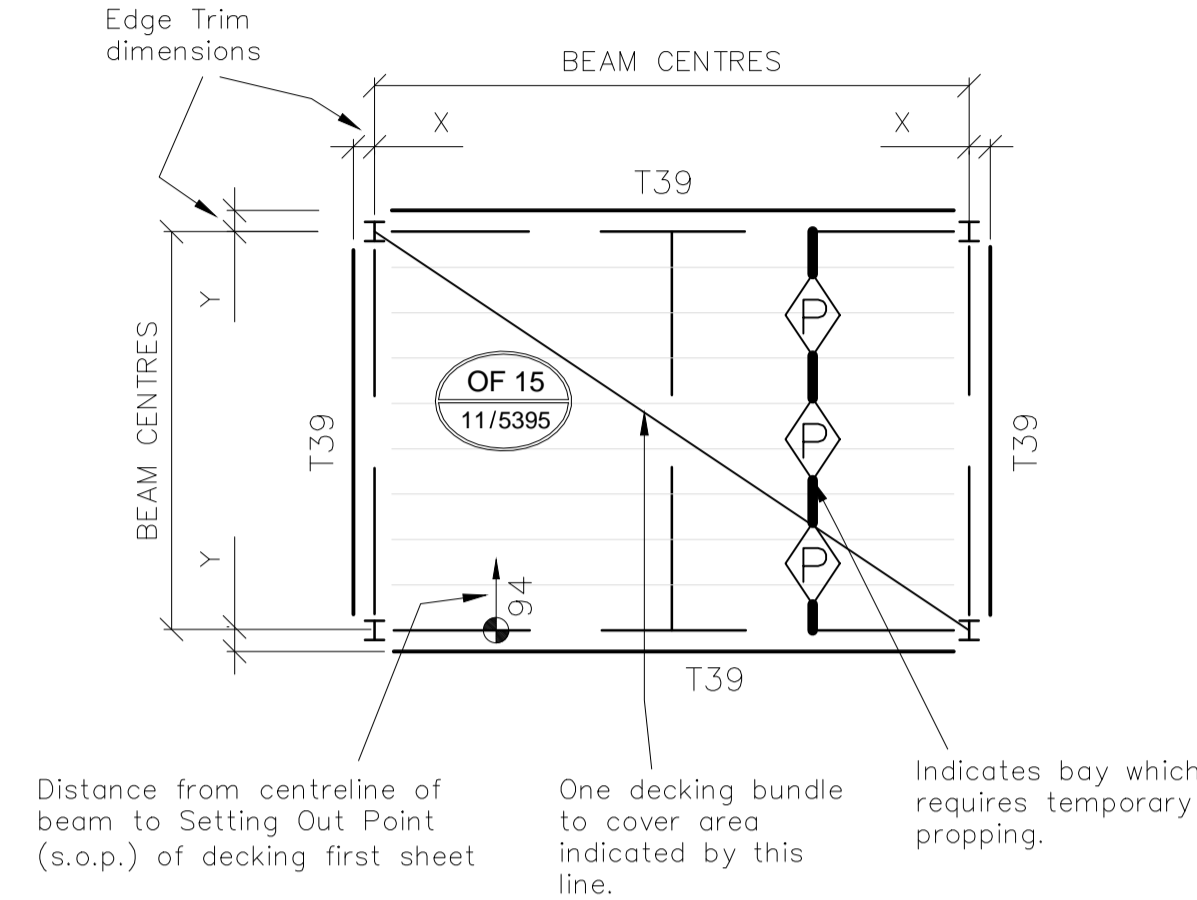
CF60 DECKING PROFILE



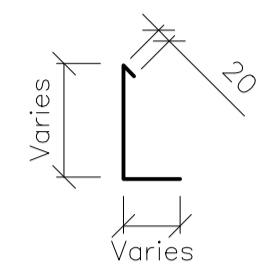
DECK NOTATION



PLAN VIEW OF TYPICAL FLOOR LAYOUT

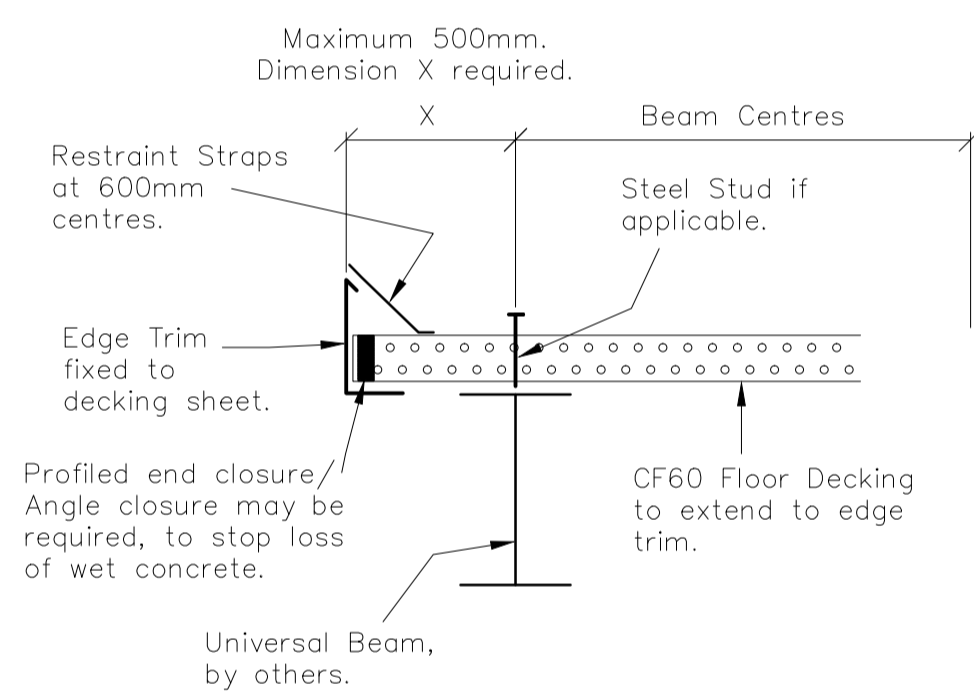


EDGE TRIM

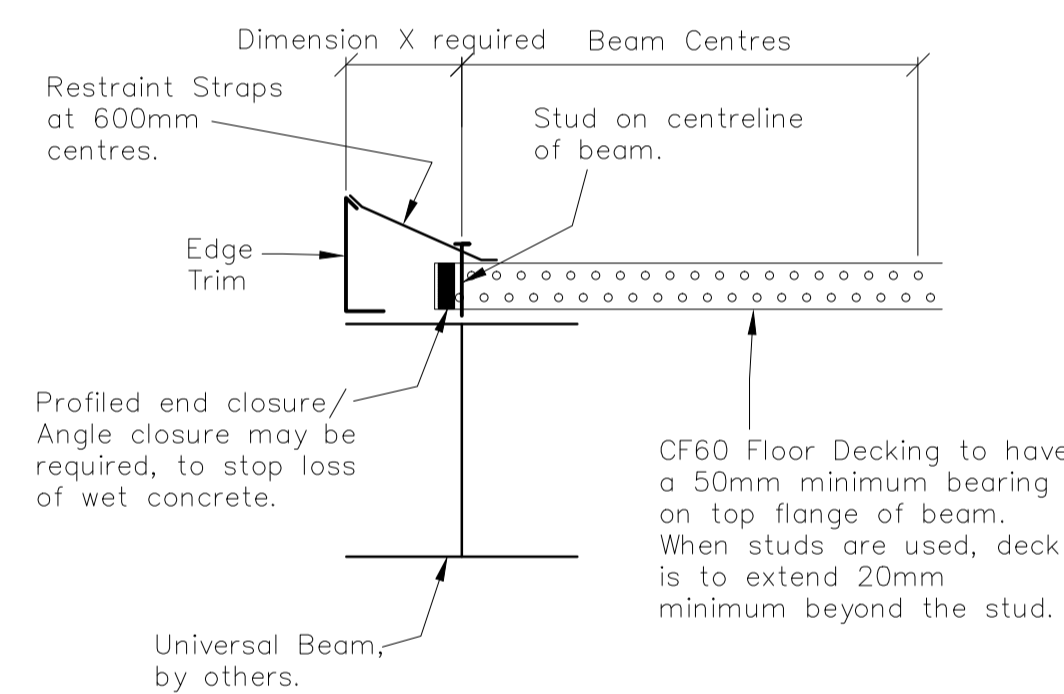


Edge Trim Depth	Steel Thickness	Maximum Cantilever
up to 130mm	0.9mm	100
	1.2mm	125
	1.6mm	160
130–150mm	0.9mm	0
	1.2mm	115
	1.6mm	150
150–200mm	1.2mm	100
	1.6mm	130
	2.0mm	160
200–250mm	1.2mm	0
	1.6mm	100
	2.0mm	135
250–300mm	1.6mm	0
	2.0mm	100

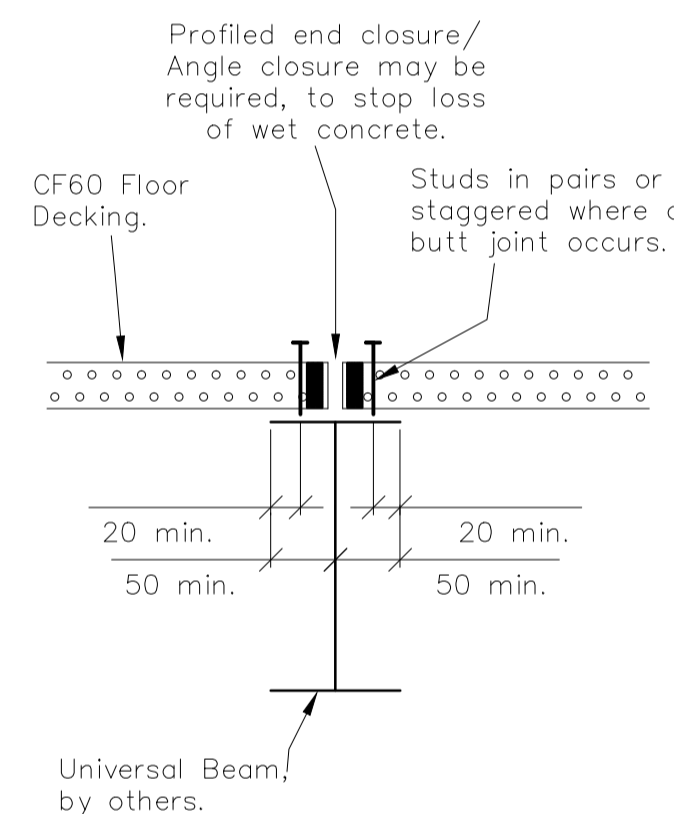
TYPICAL END CANTILEVER



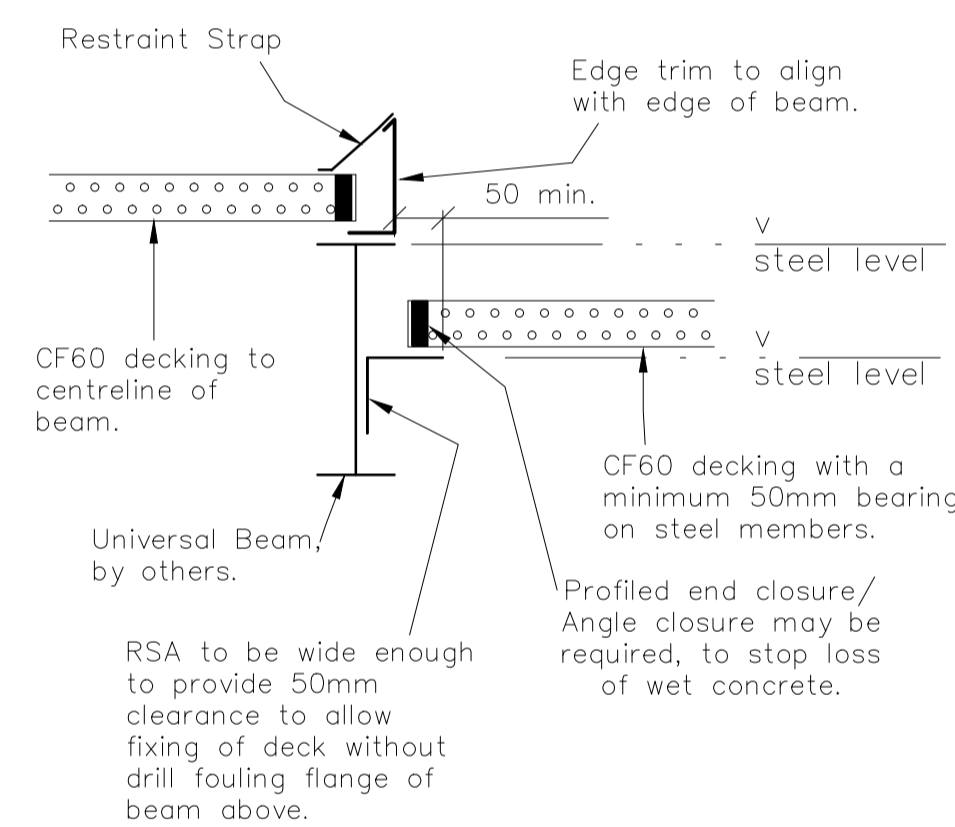
TYPICAL END DETAIL



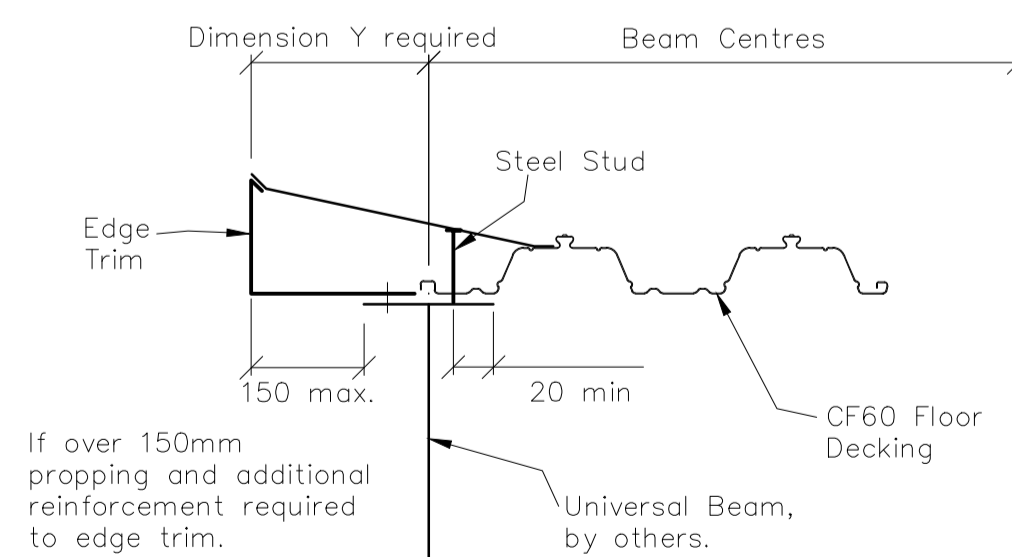
BUTT JOINT



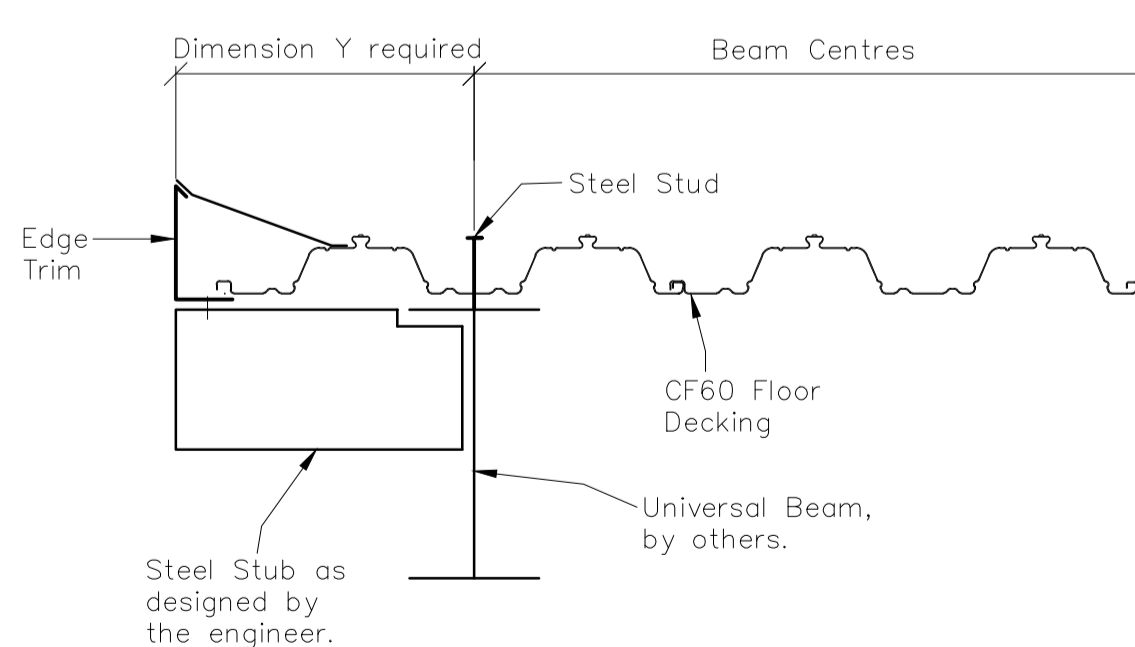
STEP IN FLOOR



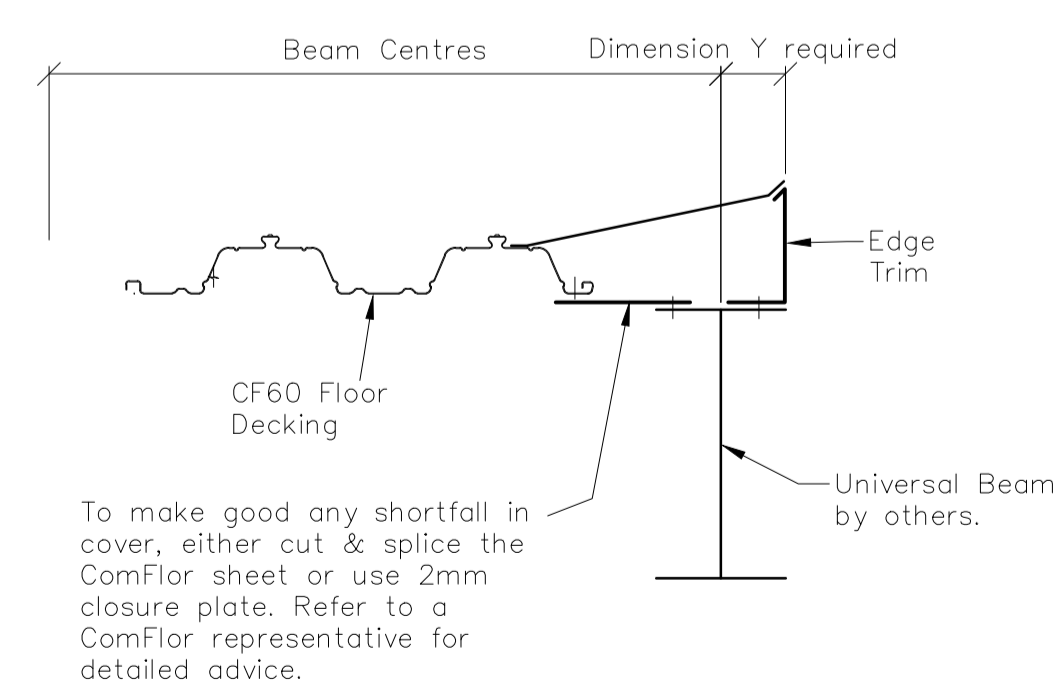
TYPICAL SIDE DETAIL



SIDE CANTILEVER WITH STUB BRACKET



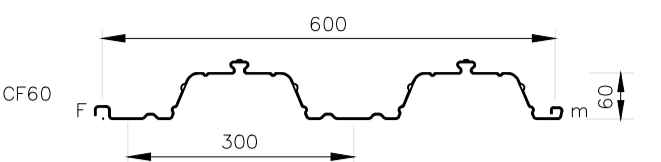
TYPICAL EDGE WITH PLATE



GENERAL NOTES:

SPECIFICATION
COMFLOR CF60 600mm COVER WIDTH. MINIMUM YIELD STRESS 500 N/mm².

ORIENTATION



CONCRETE

GENERALLY THE COMFLOR SHEET HEIGHT IS INCLUDED IN THE DESCRIPTION OF THE SLAB DEPTH. FOR BEST RESULTS, THE WET CONCRETE MUST BE SPREAD EVENLY –HEAVING OF CONCRETE MUST BE STRICTLY AVOIDED.

FOR FULL INSTRUCTIONS, GO TO WWW.COMFLOR.CO.NZ AND REFER TO 'THE COMPLETE GUIDE' DVD IN THE TECHNICAL SECTION.

FIXINGS

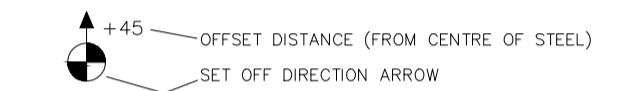
IMMEDIATELY AFTER LAYING, THE DECK MUST BE FIXED THROUGH ITS TROUGHS TO THE TOP OF THE SUPPORTING STRUCTURE. POWDER ACTUATED PINS OR SELF-DRILLING SCREWS ARE USED.

WHERE SHEARS STUDS ARE BEING USED, THE DECK REQUIRES TWO FIXINGS AT EACH SHEET ENDS AND ONE FIXING PER SHEET AT INTERMEDIATE SUPPORTS.

TO STEEL:
HEAVY DUTY POWDER ACTUATED FIXINGS SPIT SBR14, HILTI X-EM2 NAIL OR EQUIVALENT, SHOT FIRED USING HILTI DX-A40 GUN OR EQUIVALENT
SELF-DRILLING SCREWS, TO STEEL UP TO 11mm THICK – SFS SD12-5.5 x 20 OR EQUIVALENT.
TO STEEL UP TO 17mm THICK SFS SD120-14 x 22 OR EQUIVALENT
TO MASONRY OR CONCRETE:
PRE DRILL HOLE – USE SELF TAPPING FIXING SUITABLE FOR MASONRY/ CONCRETE NAIL ANCHOR – MPA 6532 OR EQUIVALENT

TO SIDE LAPS OR CLOSURES ETC.:
SELF-DRILLING STITCHING SCREW TYPICALLY SFS SD RANGE OR EQUIVALENT
FIXING SPACING:
SIDE LAP FIXING 1 EVERY 1000mm
END FIXING 2 PER SHEET
INTERMEDIATE SUPPORTS 1 PER SHEET
SIDE FIXING ONTO SUPPORTS 1 EVERY 1000mm
PROFILED END CAP 3 per 2400mm STRIP

SETTING OUT
DECKING AND EDGE CLOSURES ARE SET OUT FROM CENTRE LINE OF STEEL. NO ALLOWANCE IS MADE FOR STEELWORK OR MASONRY TOLERANCES.



BEARING

MINIMUM END BEARING REQUIREMENTS:
STEELWORK 50mm AND MASONRY 70mm
MINIMUM SIDE BEARING REQUIREMENTS:
STEELWORK 20mm AND MASONRY 50mm

PENETRATIONS AND APERTURES

PENETRATIONS SHALL NOT SEVER ANY STRUCTURAL REINFORCING. OPENINGS IN THE SLAB GREATER THAN 300mm SQUARE WILL REQUIRE LOCAL REINFORCEMENT OR TRIMMING STEEL. ONLY OPENINGS WITH TRIMMER STEEL WILL BE INCORPORATED INTO THE COMFLOR CUTTING SUPPLY SCHEDULE. SMALLER PENETRATIONS AND OPENINGS WITHOUT TRIMMER STEEL MUST BE SHUTTERED AND CUT BY OTHERS ONCE SLAB HAS CURED

TEMPORARY PROPS
ALL TEMPORARY PROPS MUST BE IN POSITION PRIOR TO CONCRETE POURING U.N.O. AND MUST REMAIN UNTIL THE CONCRETE HAS GAINED A MINIMUM 70% OF ITS DESIGN STRENGTH.

DESIGN CRITERIA FOR PROP REQUIREMENT:
i. DECKING CANTILEVER EXCEEDS THE LESSER OF 25% OF THE ADJACENT SPAN OR 500mm.
ii. DECKING HAS LESS THAN 50mm END BEARING ONTO STEEL, 70mm ONTO MASONRY.
iii. DECKING HAS LESS THAN 20mm SIDE BEARING ONTO STEEL, 50mm ONTO MASONRY.
iv. DECKING SPAN EXCEEDS DESIGN REQUIREMENTS AT THE CONSTRUCTION STAGE.
v. EDGE CLOSURES PROJECT MORE THAN 150mm FROM THE SUPPORTING EDGE.

TEMPORARY PROPPING SCHEME TO BE DESIGNED BY THE STRUCTURAL ENGINEER AND INSTALLED BY OTHERS. INDICATIVE TEMPORARY PROPS ARE INDICATED THUS:

LOADING OF DECKING
APPROXIMATE DECKING PACK LOADING LOCATIONS ARE INDICATED THUS:

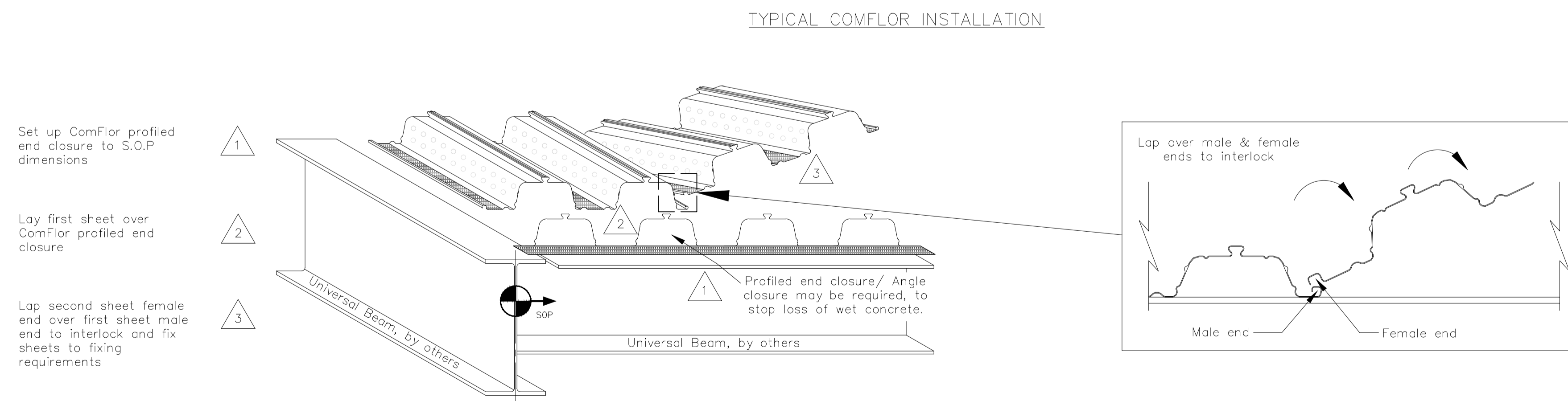
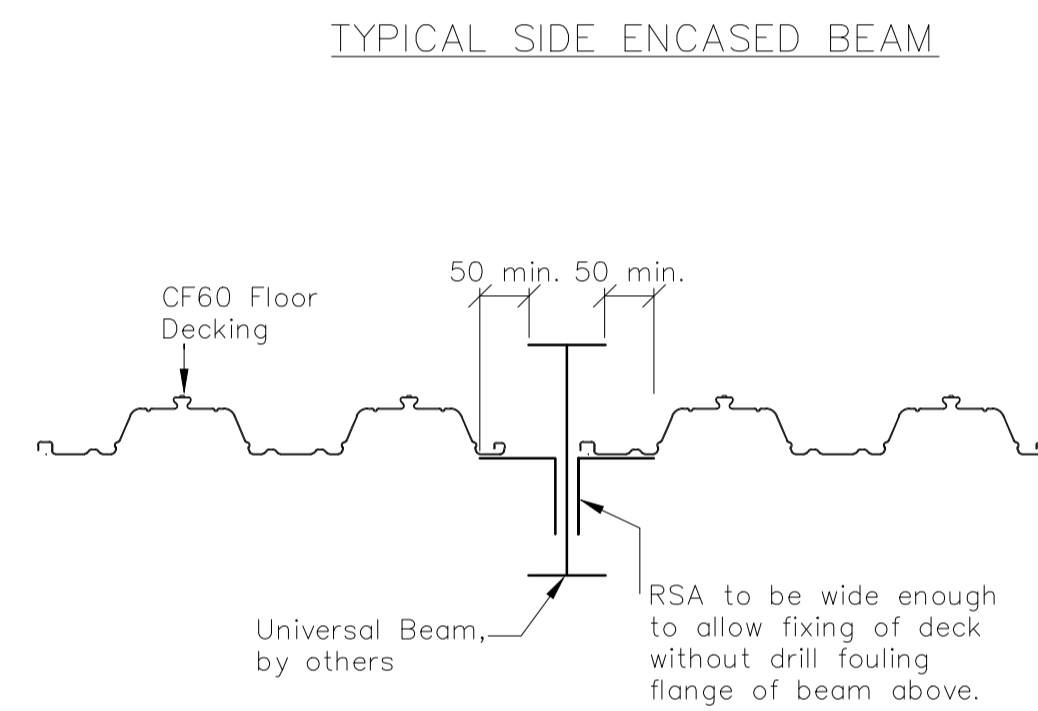
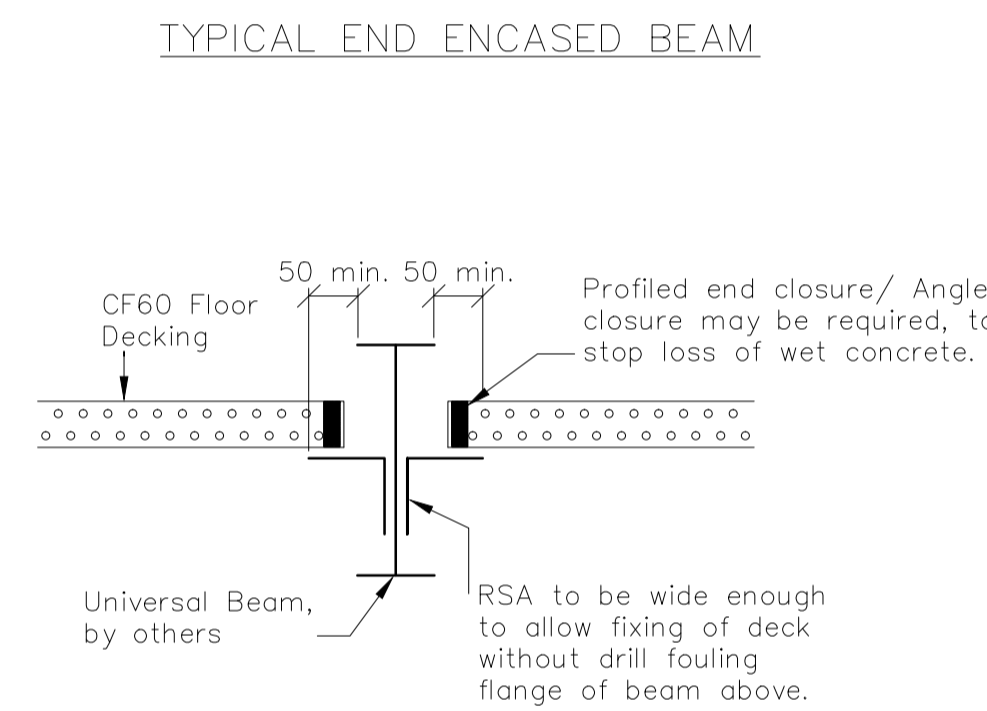
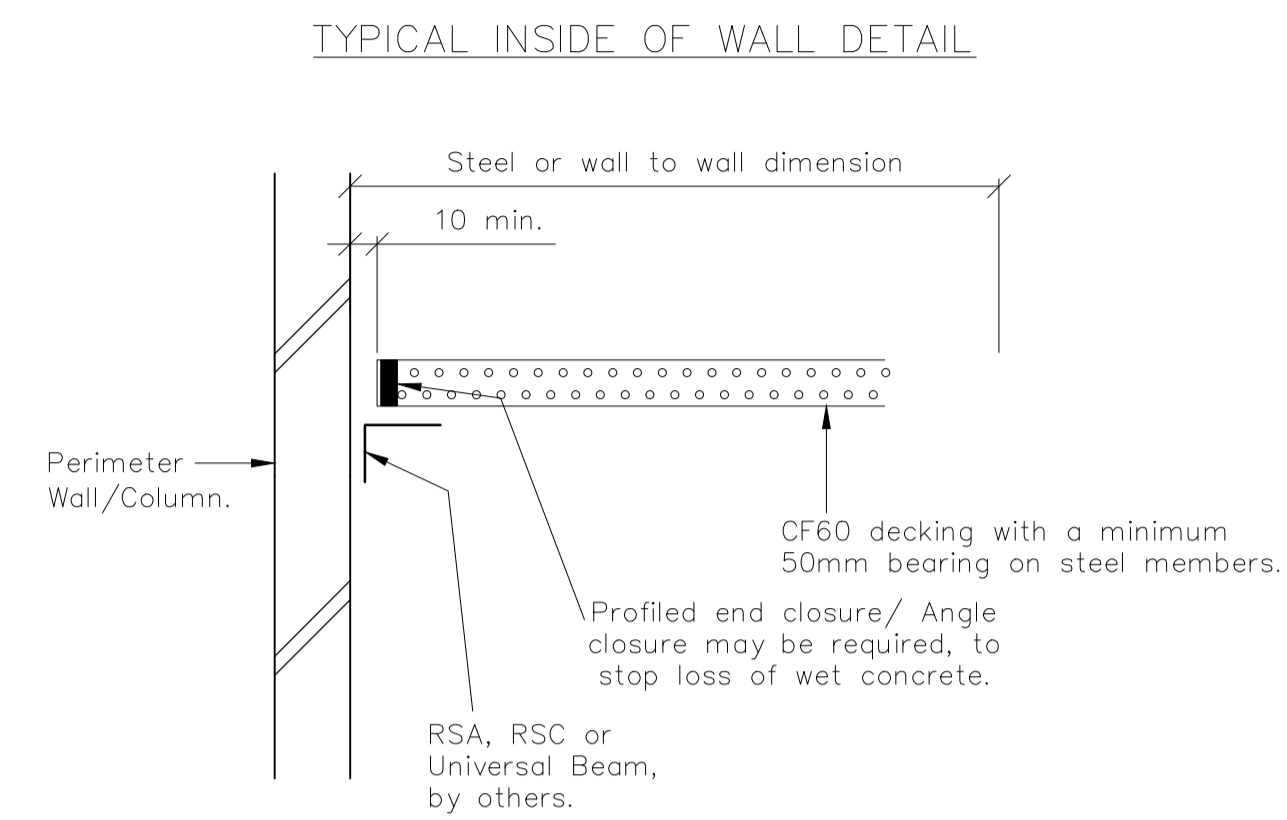
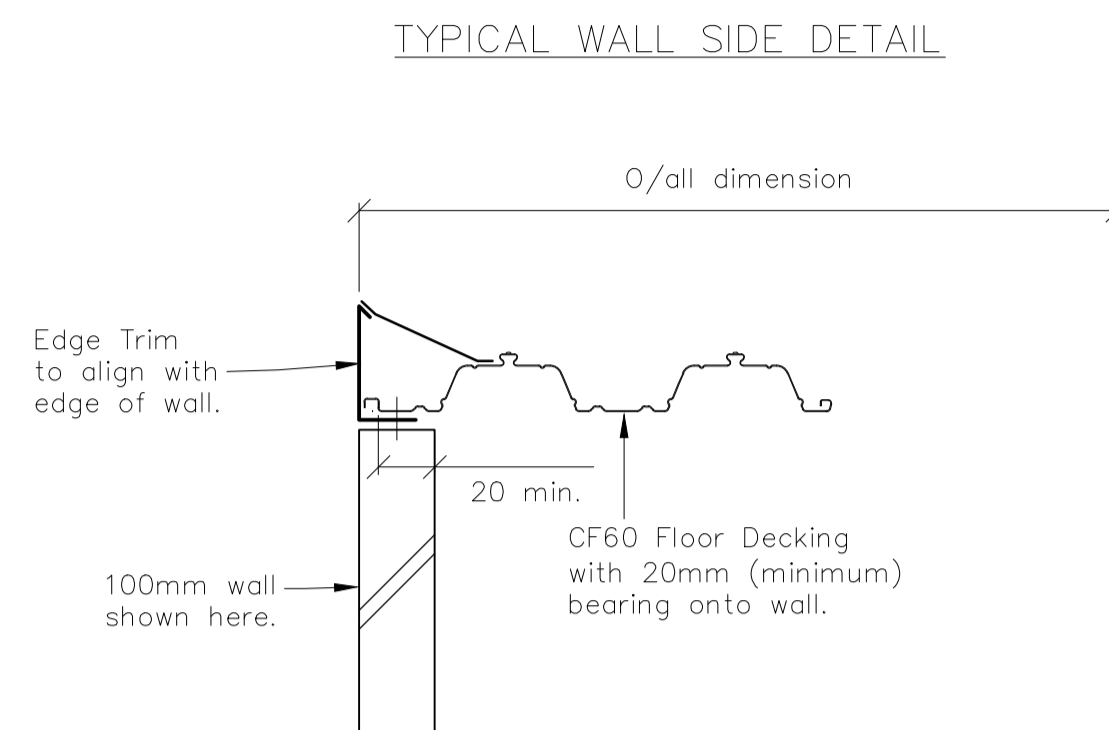
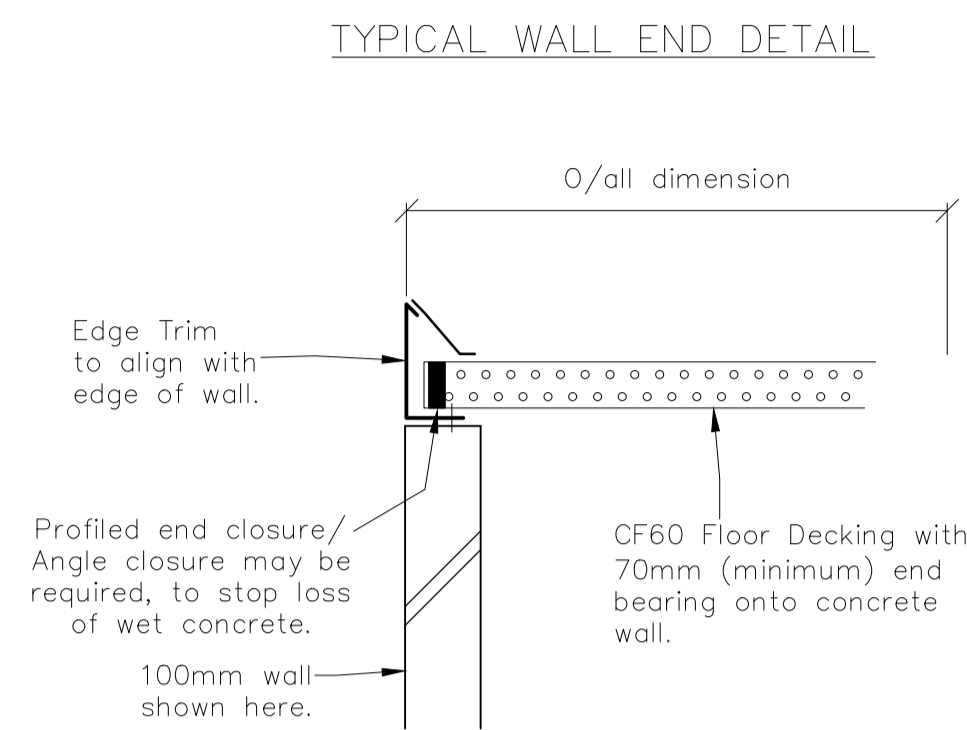
PAINT MARK ORIENTATION
PACK ORIENTATION IS SHOWN BY A PAINT MARK ON THE MALE CLIP.

SHEAR STUDS
SHEAR STUD SPACINGS ARE INDICATED THUS:

STUD SPACING (mm) <300PS>

SUFFIX 'P' INDICATES STUDS IN PAIRS 'IF APPLICABLE'
SUFFIX 'S' INDICATES STAGGERED STUDS 'IF APPLICABLE'

SHEAR STUD SIZE IS TYPICALLY 19mmØ X 95LAW FOR CF60. TOP FLANGES OF ALL COMPOSITE FLOOR BEAMS MUST BE LEFT UNPAINTED.



GENERAL NOTES:

SPECIFICATION
COMFLOR CF60 600mm COVER WIDTH, MINIMUM YIELD STRESS 500 N/mm².

ORIENTATION

CF60

600

300

CONCRETE
GENERALLY THE COMFLOR SHEET HEIGHT IS INCLUDED IN THE DESCRIPTION OF THE SLAB DEPTH. FOR BEST RESULTS, THE WET CONCRETE MUST BE SPREAD EVENLY –HEAPING OF CONCRETE MUST BE STRICTLY AVOIDED.

FOR FULL INSTRUCTIONS, GO TO WWW.COMFLOR.CO.NZ AND REFER TO 'THE COMPLETE GUIDE' DVD IN THE TECHNICAL SECTION.

FIXINGS
IMMEDIATELY AFTER LAYING, THE DECK MUST BE FIXED THROUGH ITS TROUGHS TO THE TOP OF THE SUPPORTING STRUCTURE. POWDER ACTUATED PINS OR SELF-DRILLING SCREWS ARE USED.

WHERE SHEARS STUDS ARE BEING USED, THE DECK REQUIRES TWO FIXINGS AT EACH SHEET ENDS AND ONE FIXING PER SHEET AT INTERMEDIATE SUPPORTS.

TO STEEL:
HEAVY DUTY POWDER ACTUATED FIXINGS SPIT SBR14, HILTI X-EM22 NAIL OR EQUIVALENT, SHOT FIRED USING HILTI DX-A40 GUN OR EQUIVALENT
SELF-DRILLING SCREWS, TO STEEL UP TO 11mm THICK – SFS SD12-5.5 x 20 OR EQUIVALENT.
TO STEEL UP TO 17mm THICK SFS SD120-14 x 22 OR EQUIVALENT

TO MASONRY OR CONCRETE:
PRE DRILL HOLE – USE SELF TAPPING FIX SUITABLE FOR MASONRY/ CONCRETE NAIL ANCHOR – MPA 6532 OR EQUIVALENT

TO SIDE LAPS OR CLOSURES ETC.:
SELF-DRILLING STITCHING SCREW TYPICALLY SFS SD RANGE OR EQUIVALENT

FIXING SPACING:

SIDE LAP FIXING	1 EVERY 1000mm
END FIXING	2 PER SHEET
INTERMEDIATE SUPPORTS	1 PER SHEET
SIDE FIXING ONTO SUPPORTS	1 EVERY 1000mm
PROFILED END CAP	3 per 2400mm STRIP

SETTING OUT
DECKING AND EDGE CLOSURES ARE SET OUT FROM CENTRE LINE OF STEEL. NO ALLOWANCE IS MADE FOR STEELWORK OR MASONRY TOLERANCES.

45° OFFSET DISTANCE (FROM CENTRE OF STEEL)

SET OFF DIRECTION ARROW

BEARING
MINIMUM END BEARING REQUIREMENTS:
STEELWORK 50mm AND MASONRY 70mm
MINIMUM SIDE BEARING REQUIREMENTS:
STEELWORK 20mm AND MASONRY 50mm

PENETRATIONS AND APERTURES
PENETRATIONS SHALL NOT SEVER ANY STRUCTURAL REINFORCING. OPENINGS IN THE SLAB GREATER THAN 300mm SQUARE WILL REQUIRE LOCAL REINFORCEMENT OR TRIMMER STEEL. ONLY OPENINGS WITH TRIMMER STEEL WILL BE INCORPORATED INTO THE COMFLOR CUTTING SUPPLY SCHEDULE. SMALLER PENETRATIONS AND OPENINGS WITHOUT TRIMMER STEEL MUST BE SHUTTERED AND CUT BY OTHERS ONCE SLAB HAS CURED

TEMPORARY PROPS
ALL TEMPORARY PROPS MUST BE IN POSITION PRIOR TO CONCRETE POURING U.N.O. AND MUST REMAIN UNTIL THE CONCRETE HAS GAINED A MINIMUM 70% OF ITS DESIGN STRENGTH.

DESIGN CRITERIA FOR PROP REQUIREMENT:

- DECKING CANTILEVER EXCEEDS THE LESSER OF 25% OF THE ADJACENT SPAN OR 500mm.
- DECKING HAS LESS THAN 50mm END BEARING ONTO STEEL, 70mm ONTO MASONRY.
- DECKING HAS LESS THAN 20mm SIDE BEARING ONTO STEEL, 50mm ONTO MASONRY.
- DECKING SPAN EXCEEDS DESIGN REQUIREMENTS AT THE CONSTRUCTION STAGE.
- EDGE CLOSURES PROJECT MORE THAN 150mm FROM THE SUPPORTING EDGE.

TEMPORARY PROPPING SCHEME TO BE DESIGNED BY THE STRUCTURAL ENGINEER AND INSTALLED BY OTHERS. INDICATIVE TEMPORARY PROPS ARE INDICATED THUS:

LOADING OF DECKING
APPROXIMATE DECKING PACK LOADING LOCATIONS ARE INDICATED THUS:

PAINT MARK ORIENTATION

PACK ORIENTATION IS SHOWN BY A PAINT MARK ON THE MALE CLIP.

SHEAR STUDS
SHEAR STUD SPACINGS ARE INDICATED THUS:

STUD SPACING (mm) <300PS>

SUFFIX 'P' INDICATES STUDS IN PAIRS 'IF APPLICABLE'
SUFFIX 'S' INDICATES STAGGERED STUDS 'IF APPLICABLE'

SHEAR STUD SIZE IS TYPICALLY 19mmØ X 95LAW FOR CF60. TOP FLANGES OF ALL COMPOSITE FLOOR BEAMS MUST BE LEFT UNPAINTED.